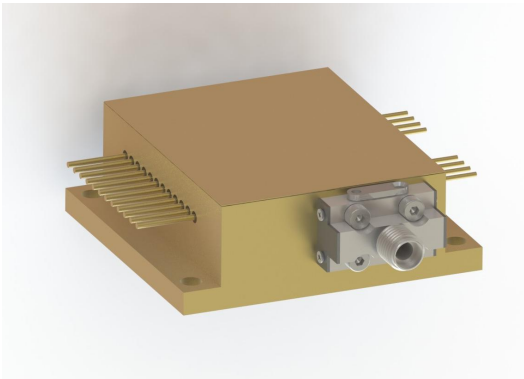
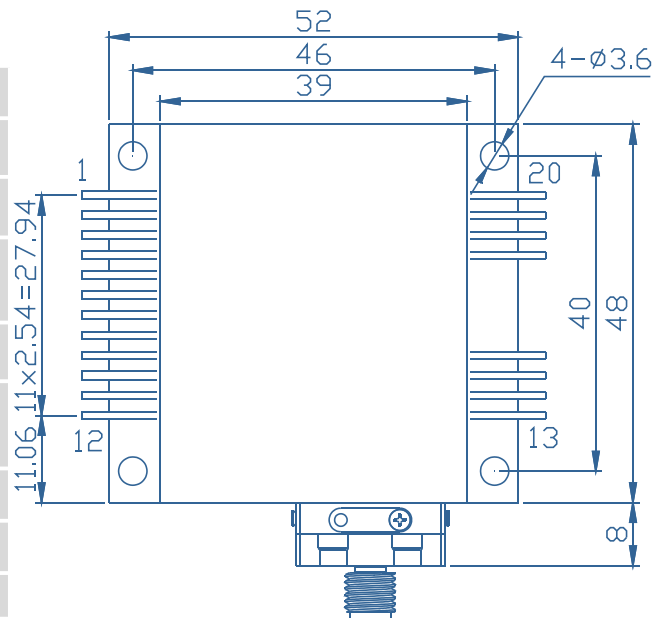
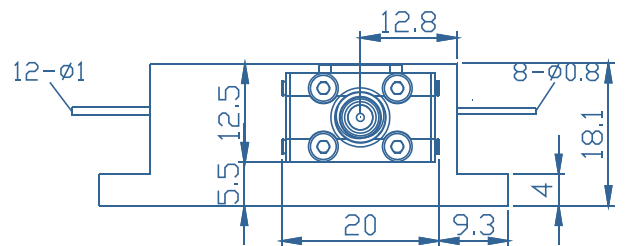
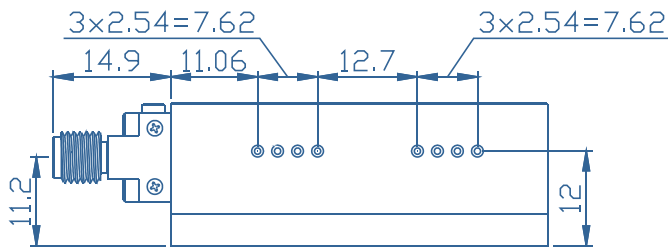


G-Series High Power Laser Diode Module



- Features
- ◆ High output power of 15 W
 - ◆ 200μm/0.22NA multimode optical fiber
 - ◆ Center wavelength 1470±10nm
- Applications
- ◆ Medical Application

Package Dimensions (mm)



Pin-Out Assignment

Pin	Function	Pin	Function
1	LD (+)	11	Aiming Beam (+)
2	-	12	Aiming Beam (-)
3	-	13	Fiber Connector Detector LED (-)
4	-	14	Fiber Connector Detector LED (+)
5	-	15	PD (N)
6	-	16	PD (P)
7	-	17	PD (N)
8	-	18	PD (P)
9	-	19	Thermistor
10	LD (-)	20	Thermistor

Typical Device Performance (25°C)

	Min	Typical	Max	Unit
Optical				
CW Output Power	-	15	-	W
Center Wavelength	-	1470±10	-	nm
Spectral Width (90% of Power)	-	<10.0	-	nm
Wavelength Shift with Temperature	-	0.33	-	nm /°C
Electrical*				
Threshold Current	-	0.5	-	A
Operating Current	-	7.3	-	A
Operating Voltage	-	9.6	-	V
Slope Efficiency	-	2.2	-	W / A
Power Conversion Efficiency	-	21.0	-	%
Fiber**				
Fiber Core Diameter	-	200	-	μm
Fiber Cladding Diameter	-	220	-	μm
Numerical Aperture	-	0.22	-	-
Fiber Length	-	1-5	-	m
Fiber Connector	-	-	-	-
Other				
PD	-	100-1000	-	uA

* Customized fiber and connector available.

Absolute Ratings

	Min	Max	Unit
Operating Temperature	15	35	°C
Operating Relative Humidity	-	75	%
Storage Temperature	-20	80	°C
Storage Relative Humidity	-	90	%
Lead Soldering Temperature (10 s max)	-	250	°C

This instruction is for reference only. Han's TCS improves its products continually, therefore may change specifications without notice to customers, for details, please contact with Han's TCS sales.

@2022 Han's TianCheng Semiconductor Co., Ltd. All rights reserved.