

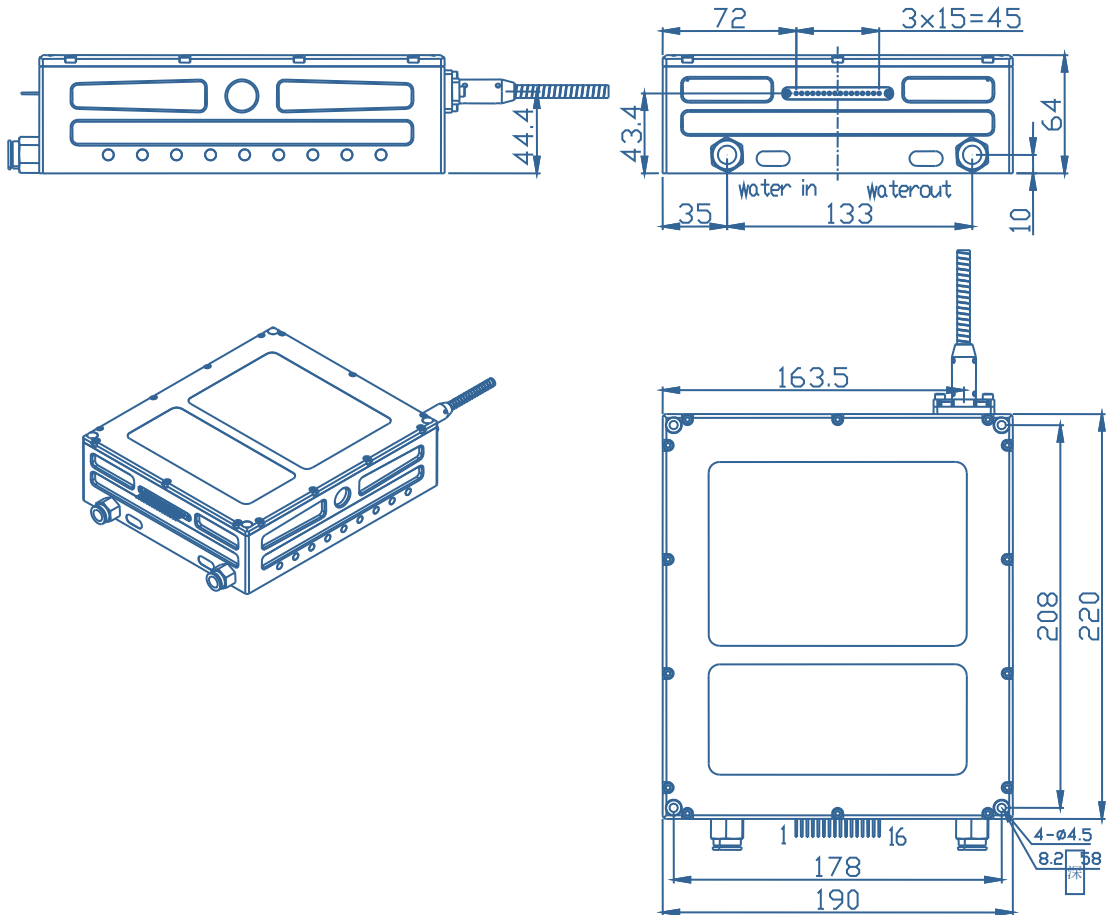
V-Series High Power Laser Diode Module



- Features**
- ◆ High output power of 70 W
 - ◆ 400μm/0.22NA multimode optical fiber
 - ◆ Center wavelength 520±10nm

- Applications**
- ◆ Industrial Processing

Package Dimensions (mm)



Pin-out Assignment			
Pin	Function	Pin	Function
1	LD 1 (+)	9	LD 5 (+)
2	LD 1 (-)	10	LD 5 (-)
3	LD 2 (+)	11	LD 6 (+)
4	LD 2 (-)	12	LD 6 (-)
5	LD 3 (+)	13	LD 7 (+)
6	LD 3 (-)	14	LD 7 (-)
7	LD 4 (+)	15	LD 8 (+)
8	LD 4 (-)	16	LD 8 (-)

Typical Device Performance (20°C)

	Min	Typical	Max	Unit
Optical				
CW Output Power	-	70	-	W
Center Wavelength	-	520±10	-	nm
Spectral Width (90% of Power)	-	<6.0	-	nm
Wavelength Shift with Temperature	-	0.3	-	nm / °C
Electrical				
Threshold Current	-	0.3	-	A
Operating Current	-	1.6	1.8	A
Operating Voltage	-	48.0	50	V
Slope Efficiency	-	54	-	W / A
Power Conversion Efficiency	8	10	-	%
Fiber*				
Fiber Core Diameter	-	400	-	μm
Numerical Aperture	-	0.22	-	-
Fiber Length	-	1-5	-	m
Fiber Connector	-	-	-	-

* Customized fiber and connector available.

Absolute Ratings

	Min	Max	Unit
Operating Temperature	15	35	°C
Operating Relative Humidity	-	75	%
Cooling Mode	-	水冷 (20°C)	-
Storage Temperature	-20	80	°C
Storage Relative Humidity	-	90	%
Lead Soldering Temperature (10 s max)	-	250	°C

This instruction is for reference only. Han's TCS improves its products continually, therefore may change specifications without notice to customers, for details, please contact with Han's TCS sales.

@2022 Han's TianCheng Semiconductor Co., Ltd. All rights reserved.